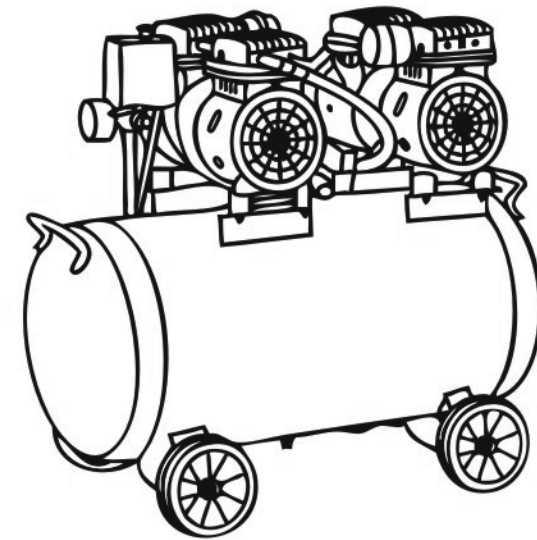
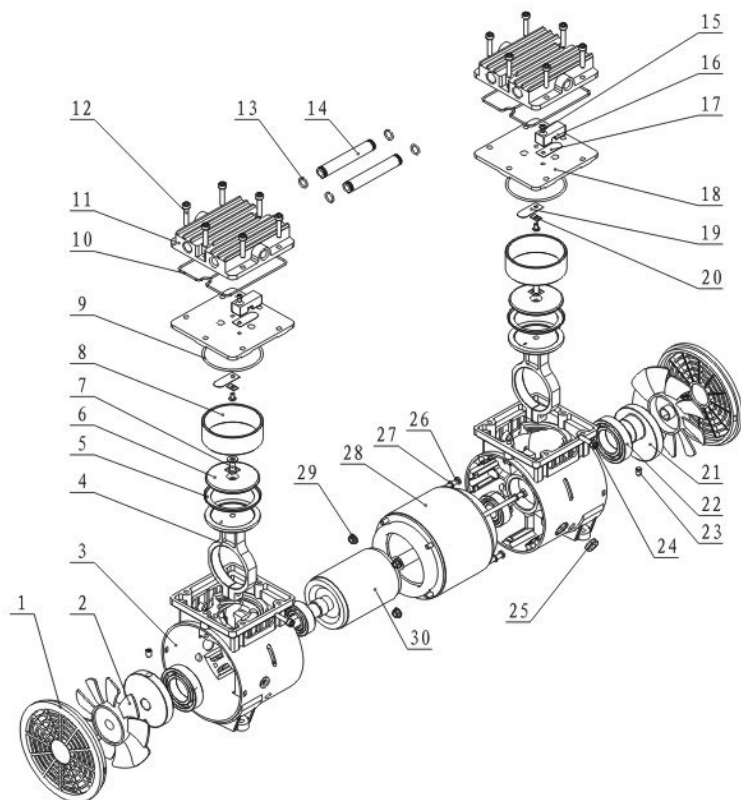


**noiseless and oil
free air compressor Instruction**



**BEFORE USING PLEASE READ THE
INSTRUCTION CAREFULLY.**

3、Structure name



4	When the compressor keep running, but the pressure can't reach the stop pressure or shut off the exhausting ball plug, the time to reach stop pressure get longer.	The air of the compressor and the pipeline system is divulged.	Check each joint have steam leakage phenomenon or not. (Can use suds to check)
		The pump of the compressor has faults	Open the cylinder cover to check the valve has carbon deposit or not. The valve plate has wrapped or not. Leather cup have abrasion. Contact with the manufacturer.
5	When stop the compressor, switch off the exhausting ball plug, the atmospheric pressure went down.	Each bonds of the air tank steam leakage.	Add the glue to screw down the bond.
		Holding valve has no airproof, steam leakage reversing.	Clear, clean valve plug. Replace holding valve or valve plug.
6	The compressor can't stop when is over the set maximum pressure.	Pressure controller broken.	Adjust or replace the pressure controller.
7	In the scope of compressor's work pressure, the safety valve exhaust.	Safety valve spring force weakened, the adjustment nut loose	Adjust safety valve adjust the nut to the safety valve working pressure exhaust, and locking nut.

3	The compressor can't start normal, electrical motor turns but stop immediately, and can hear the buzz of the electrical motor, about thirty to sixty seconds the sound disappeared.	The voltage is too low	1、 Increase pressure stabilizer. 2、 Use after the voltage becomes normal.
		The air in the high-pressure pipe hasn't exhausted but re-start, almost the plug not contact well or the power cut in the middle, the time is less than five seconds.	1、 Pull out the plug 2、 Replace the plug to guarantee contact property.
		Electromagnetic valve can not exhaust.	Check whether the safety valve has faults or not (Method: pull out the plug, exhaust air in the air compressor pot, plug into the plug, when the atmospheric pressure reached the necessarily pressure pull out the plug, electromagnetic valve will exhaust).
		The capacitance has been damaged or the capacity reduced	Replace capacitance.
		The compressor has faults.	Contact with the manufacturer.

Number	Name	Number	Name	Number	Name	Number	Name
1	fan cowl	9	cylinder obturating ring	17	gassing valve plate	25	leading-out line guard circle
2	fan	10	Cylinder head obturating ring	18	valve plate	26	electrical motor bolt
3	case	11	cylinder head	19	air inflow valve plate	27	grower washer
4	connecting bar	12	cylinder head screw	20	metal strengthen sheet	28	stator
5	piston cup	13	connecting hose obturating ring	21	crank	29	locknut
6	piston cup	14	connecting hose	22	bearing	30	rotor
7	pressure plate screw	15	pan head screw	23	holding screw		
8	cylinder	16	limited block	24	cheese head screw		

4、 The use、 operation notes

4.1 While using, air compressor will be placed in the level of indoor drying、 cleaning、 ventilation places, specially pay attention to get away from the scope such as dust. If you are unable to meet the requirement, you must increase the filtering.

4.2 Please check whether the gas circuit of compressor blockage, every component has abnormal phenomena before using, then plug the power cord plug into the power outlet to meet the requirements(the power outlet must be good grounding),the compressor's motor will start, electromagnetic value act, shut

emptying gas circuit, complete appliance start work(close each air supply power switch).

4.3 When pressure gauges point the pressure is reached the maximum given pressure, pressure control automatically disconnect, air compressor will stop working. When the compressor stopped is not to the maximum pressure because of the power supply suspension, the compressor will be worked after the tank pressure down to the lowest pressure control point by restoring electricity.

4.4 Connect valve mouth to the using air supply equipment pipeline; open exhaust valves can supply gas to the equipment directly. When the pressure gauge points the pressure is down to the set minimum pressure, pressure control automatically closed, air compressor re-start. (The value of the minimum and maximum pressure based on different models has been setting up before the products leave factory, generally the users can't adjust the set value by themselves.)

4.5 If user's supply voltage is on the low side, not up to the range $\pm 10\%$ of the standard voltage, can not be forced to use, otherwise it will be damage the electrical of the compressor. It should be add power stabilizer or booster, to make the use voltage up to standard voltage.

4.6 By using, the air holder of the air compressor will condense a small amount of moisture content, so must be drained regularly, generally drainage once a week. Switch off the power before draining, open the exhaust valves to drain the gas in the air holder, and then unscrew the bottom seal lock of the air holder, after draining water, re-installed can use.

4.7 By using, because in the air has dust, so entering air silencer will be washed once a week. Switch off the power before washing, switch off the silencer, then switch off the end closure of the silencer, popped the inside sponge, clean thoroughly with clean water, airing, re-installed can use (also can replace new sponge).

4.8 On the top of the tunableness component pressure controller has an adjusting screw, can be used to regulate plus-minus psid. Manufacturers have been adjust the outage pressure property before the compressors leave factory, the users must not adjust according to their wishes, otherwise may be will overstep the design parameter of the complete appliance, damage machine set, or lead the air compressor can't running normal.

4.9 Compressor with thermal protection and over-current protection: when the

motor overheated, the thermal protection will automatically disconnect; when the motor stall, the voltage too high, over-current protection will automatically disconnect, and both will be automatically reset. So please pay attention to whether the circuit is free-flowing or not when checking.

5、Conserve and protect

5.1 To ensure safety, the compressor work is prohibited on touch any component from the appliance.

5.2 This compressor is oil-free compressor, is prohibited on add oil to lubricate.

5.3 To use this compressor, the ambient temperature is from 5°C to 40°C.

5.4 It is ban to watering towards the complete appliance while washing the compressor, please use soft dry cloth to rub-up the dust on the top, be careful not damage the component.

5.5 After using, please cut off the power switch, switch off the air supply.

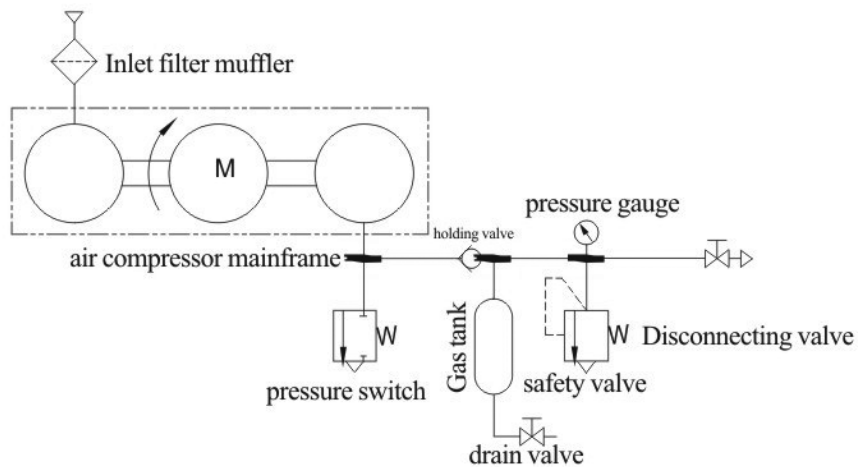
6、Malfunction analysis and preserve

Serial number	Fault characteristic	Fault characteristic	Exclude method
1	Air compressor can't running, electrical motor have no abuzz hum noise.	Plug has no power.	Open the power.
		Pressure controllers not connect	Check whether the connections of the pressure controllers connect or not.
2	Air compressor shut down after not reach the set maximum pressure, and have the sound of electromagnetic valve exhausting.	The set value of the pressure switch is low.	Adjust the set value to the value as required.
		Electricity cut off.	Use after connecting the electric.

7、Maintain

The product from the date of purchase (invoice to fill in the date), upon the normal use and management conditions, if the products can not work normal caused by their product manufacturing quality problems (without by lightning, the using voltage more than the rated voltage 10%, Water inflowing, man-made damage, and other phenomena), the company will free of charge for users to carry out a one-year warranty. Product whole appearance and wearing parts does not belong to the scope of warranty. After warranty period, our company will continue to implement the product of technical services for life, at this time will be needed to collect the necessary cost.

8、Gas circuit elementary diagram



1、Summarize

Our company's SL series of oil free air compressor to use of high-quality, the big flow of oil-free piston compressor swing as a power source, can provide a stable source of oil free gas, avoid the oil patches into the human body, and can avoid the terminal machines because of the non-oil pipeline caused a breakdown of oil. Their components are selected of high-quality. The machine is completely made in accordance with the characteristics of dental, high flow, low noise, dry cleaner gas source, smooth operation, automatic control, in the course of operation, when the tank pressure to set a minimum or maximum value, the compressor will automatically start up or shutdown. The compressor is particularly suitable for dental treatment as the gas source, it is the ideal choice for medium, small dental hospitals and private dental clinics.

2、Product specifications

Model	Motor		Speed	Air Displacement		Max Pressure		Tank		Noise	Weight	Dimensions
	W	HP	R.P.M	L/min	C.F.M	Bar	Psi	L	Gal	dB(A)	KG	L×W×H(cm)
OS-40/8	450	3/5	1400	88	3.1	8	115	9	2.4	48	21	49×20×53
OS-25	550	3/4	1400	110	3.9	8	115	30	7.9	50	30	50×30×51
OS-70/8	750	1.0	1400	165	5.8	8	115	38	10	55	35	40×40×66
OS-50	2X550	2X3/4	1400	220	7.8	8	115	50	13.3	55	47	69×30×63
OS140/8	2X750	2X1.0	1400	330	11.6	8	115	65	17.3	58	52	69×32×66
OS150/8	3X550	3X3/4	1400	330	11.6	8	115	80	21.3	59	69	93×35×70
OS210/8	3X750	3X1.0	1400	490	17	8	115	100	26.5	60	76	93×40×72

The Company reserves the right to change the design of the products, if it is change will without notice.